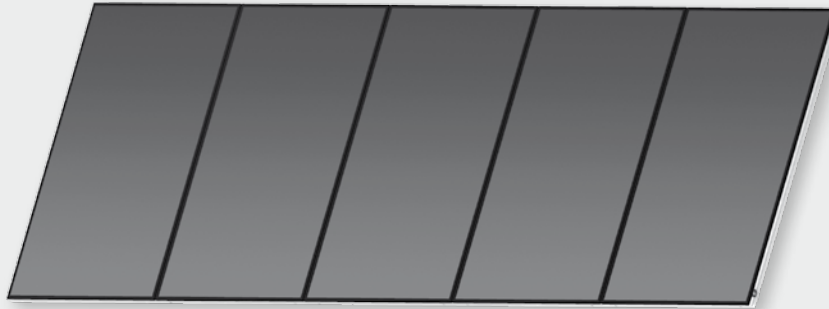


PFM-G LARGE COLLECTOR

PRODUCT OVERVIEW



Area of use

- In-roof mounting
- On-roof mounting
- Freestanding
- Façade installation on request

Product benefits

- Keymark tested collector
- High-performance absorber – complete mander pipe is welded to the absorber metal (incl. elbows), higher efficiency through greater thermal length
- High efficiency due to PVD coating,
- Patented CMT welded collector pan
- Long service life, robust, temperature- and weather-resistant design
- Fast and easy installation using patented hydraulic connections
- Very low profile construction (62 mm)
- Silicone-sealed glass pane with cover strip
- Enlarged aperture area with the same gross area

Plug & flow large collector (PFM-G)

The PFM-G large collector is suitable for on-roof/in-roof installation and freestanding installation on pitched and flat roofs as well as on the ground. It is available as a single-piece large collector in sizes ranging from 4.04 to 16.67 m² and has a forward and a return flow connection. Fastening material and supports are available for a variety of frames. The large collector is assembled as standard from the respective module collectors. Custom sizes can be produced on request in rectangular and non-rectangular shapes in any width and height (max. 2.80 x 5.95 m). The feasibility of the special shapes must be clarified with our technicians.

SPECIFICATIONS

Large collector PFM-G-S 2,01

Type	PFM-G-S 2,01/2	PFM-G-S 2,01/3	PFM-G-S 2,01/4	PFM-G-S 2,01/5
Item no.	1430640	1430641	1430642	1430643
Glass panels	2	3	4	5
Gross area	4.04	6.07	8.10	10.13
Aperture area	3.78	5.68	7.57	9.46
Absorber area	3.73	5.59	7.46	9.32
External dimensions (H x W x D)	1702 x 2374 x 62 mm	1702 x 3566 x 62 mm	1702 x 4758 x 62 mm	1702 x 5950 x 62 mm
Weight	71 kg	104 kg	138 kg	174 kg
Solar fluid volume	2.8 l	4.2 l	5.6 l	7 l

Large collector PFM-G-S 2,55

Type	PFM-G-S 2,55/2	PFM-G-S 2,55/3	PFM-G-S 2,55/4	PFM-G-S 2,55/5
Item no.	1430645	1430646	1430647	1430648
Glass panels	2	3	4	5
Gross area	5.13	7.71	10.29	12.86
Aperture area	4.83	7.25	9.67	12.08
Absorber area	4.77	7.15	9.54	11.92
External dimensions (H x W x D)	2162 x 2374 x 62 mm	2162 x 3566 x 62 mm	2162 x 4758 x 62 mm	2162 x 5950 x 62 mm
Weight	89 kg	131 kg	174 kg	216 kg
Solar fluid volume	3.4 l	5.1 l	6.8 l	8.5 l

Large collector PFM-G-S 3,30

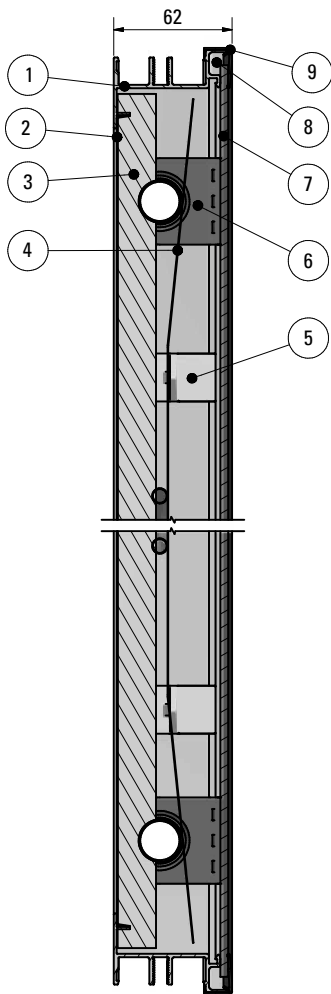
Type	PFM-G-S 3,30/2	PFM-G-S 3,30/3	PFM-G-S 3,30/4	PFM-G-S 3,30/5
Item no.	1430650	1430651	1430652	1430653
Glass panels	2	3	4	5
Gross area	6.65	9.99	13.33	16.67
Aperture area	6.29	9.44	12.59	15.73
Absorber area	6.22	9.32	12.43	15.54
External dimensions (H x W x D)	2802 x 2374 x 62 mm	2802 x 3566 x 62 mm	2802 x 4758 x 62 mm	2802 x 5950 x 62 mm
Weight	111 kg	164 kg	218 kg	271 kg
Solar fluid volume	3.8 l	5.7 l	7.6 l	9.5 l

Large collector PFM-G-W

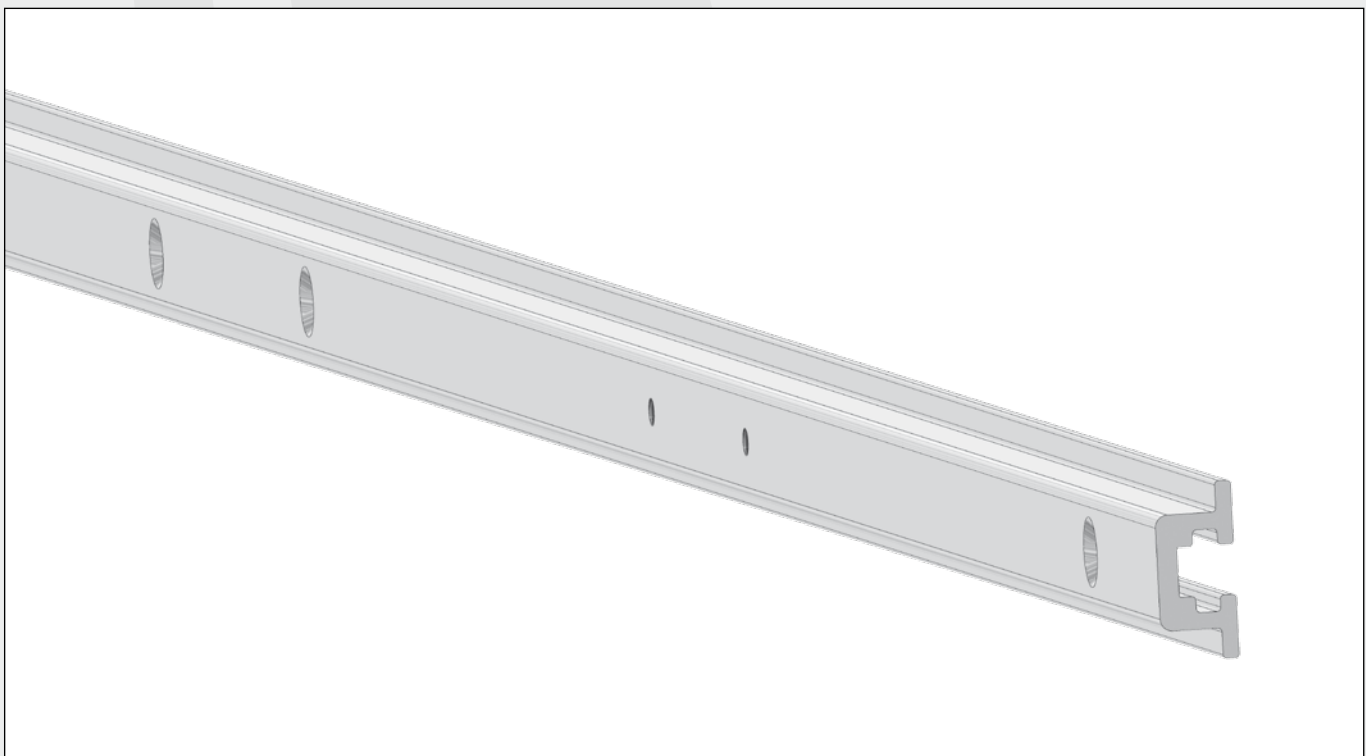
Type	PFM-G-W 2,01/2	PFM-G-W 2,01/3	PFM-G-W 2,55/2	PFM-G-W 2,55/3	PFM-G-W 3,30/2
Item no.	1430676	1430677	1430678	1430679	1430680
Glass panels	2	3	2	3	2
Gross area	4.04	6.06	5.12	7.69	6.80
Aperture area	3.78	5.68	4.83	7.25	6.29
Absorber area	3.73	5.59	4.77	7.15	6.22
External dimensions (H x W x D)	1182 x 3414 x 62 mm	1182 x 5126 x 62 mm	1182 x 4334 x 62 mm	1182 x 6506 x 62 mm	1182 x 5614 x 62 mm
Weight	71 kg	104 kg	89 kg	132 kg	112 kg
Solar fluid volume	3.4 l	5.1 l	4.4 l	6.6 l	5.6 l

PFM-G LARGE COLLECTOR

HORIZONTAL SECTION



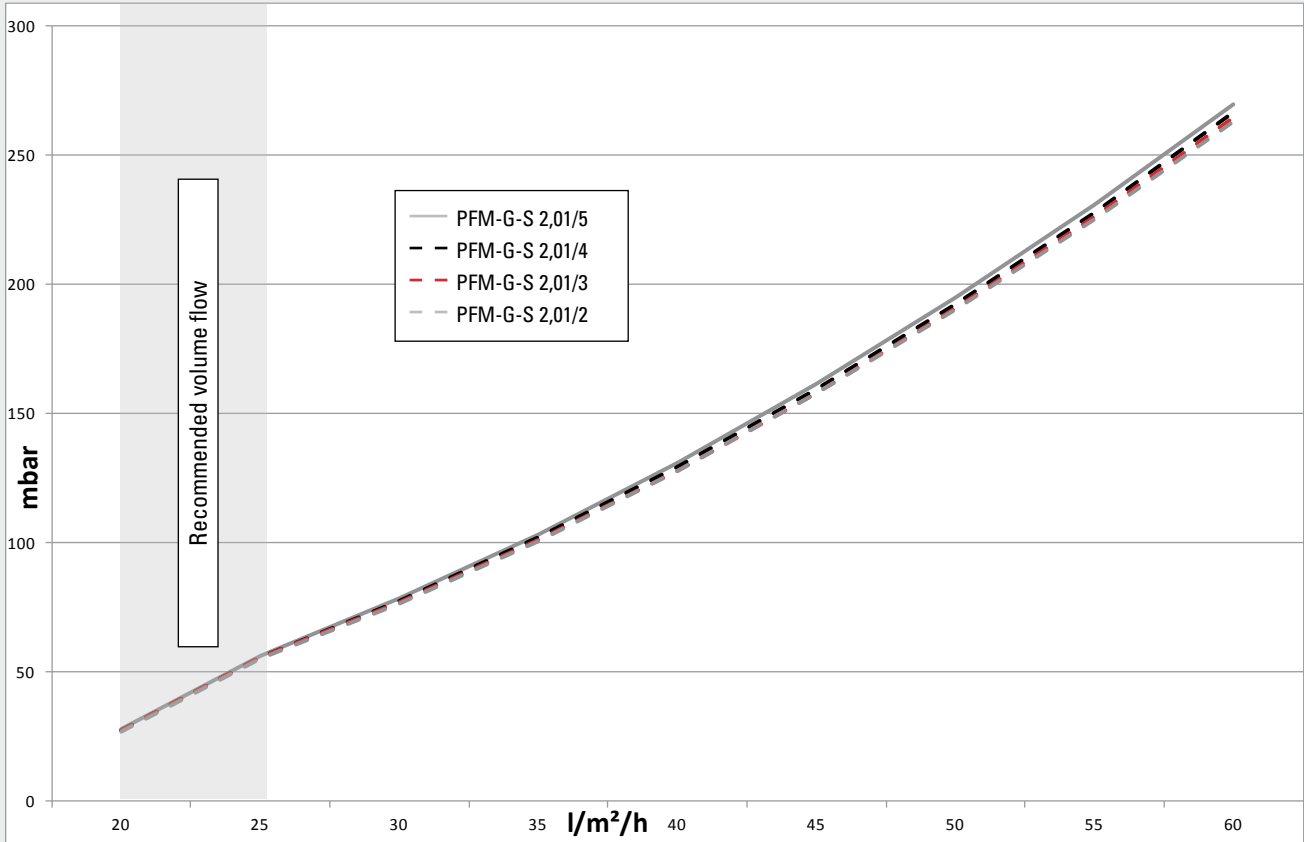
- 1 Aluminium frame section
- 2 Aluminium rear panel
- 3 Thermal insulation
- 4 Absorber
- 5 Absorber pressure pad
- 6 Frame duct
- 7 Glass pane
- 8 2-component silicone seal
- 9 Cover strip
- 10 PFM-G connection profile



PRESSURE DROP

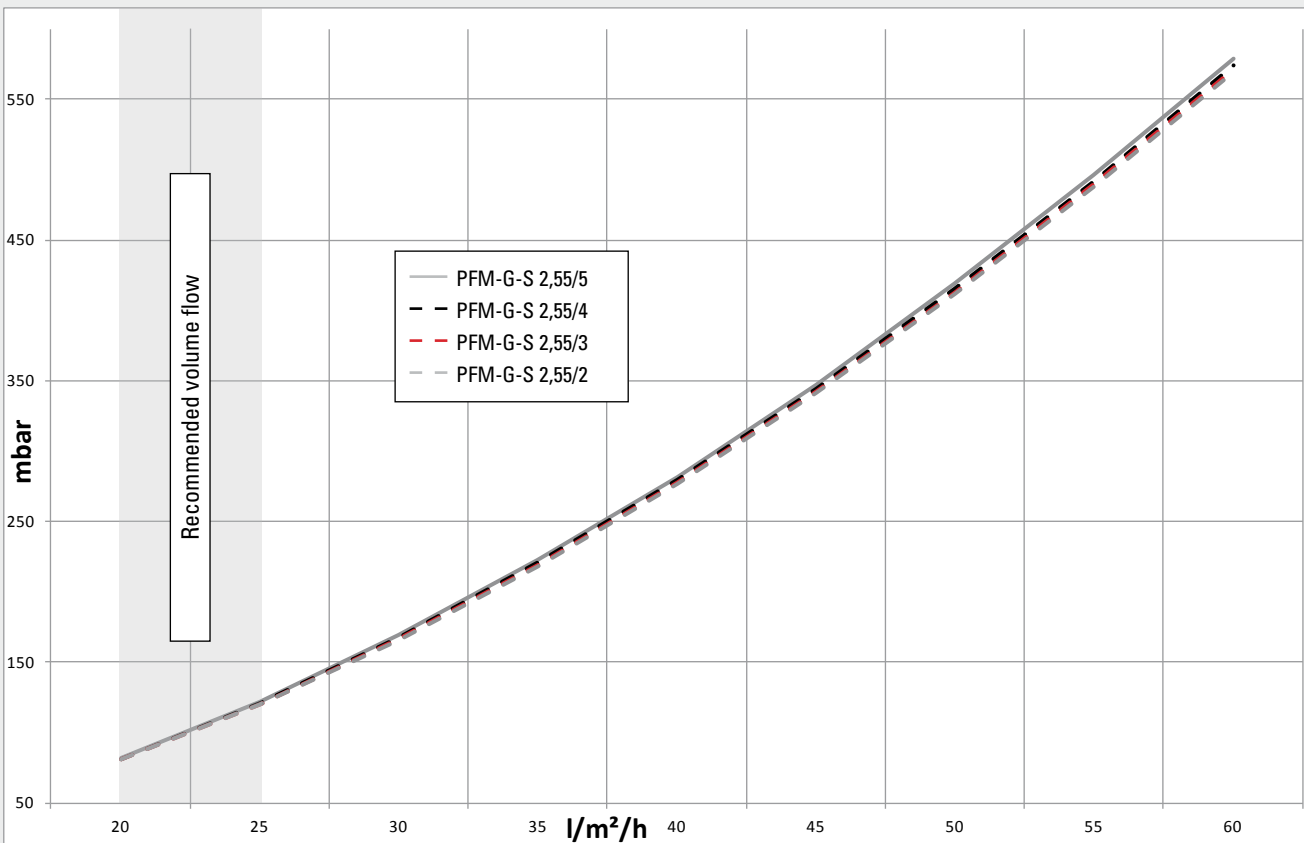
PFM-G-S 2,01 pressure loss

Original TiSUN® antifreeze mixture (40% polypropylene glycol), medium temperature 60 °C, gross area as legend



PFM-G-S 2,55 pressure loss

Original TiSUN® antifreeze mixture (40% polypropylene glycol), medium temperature 60 °C, gross area as legend

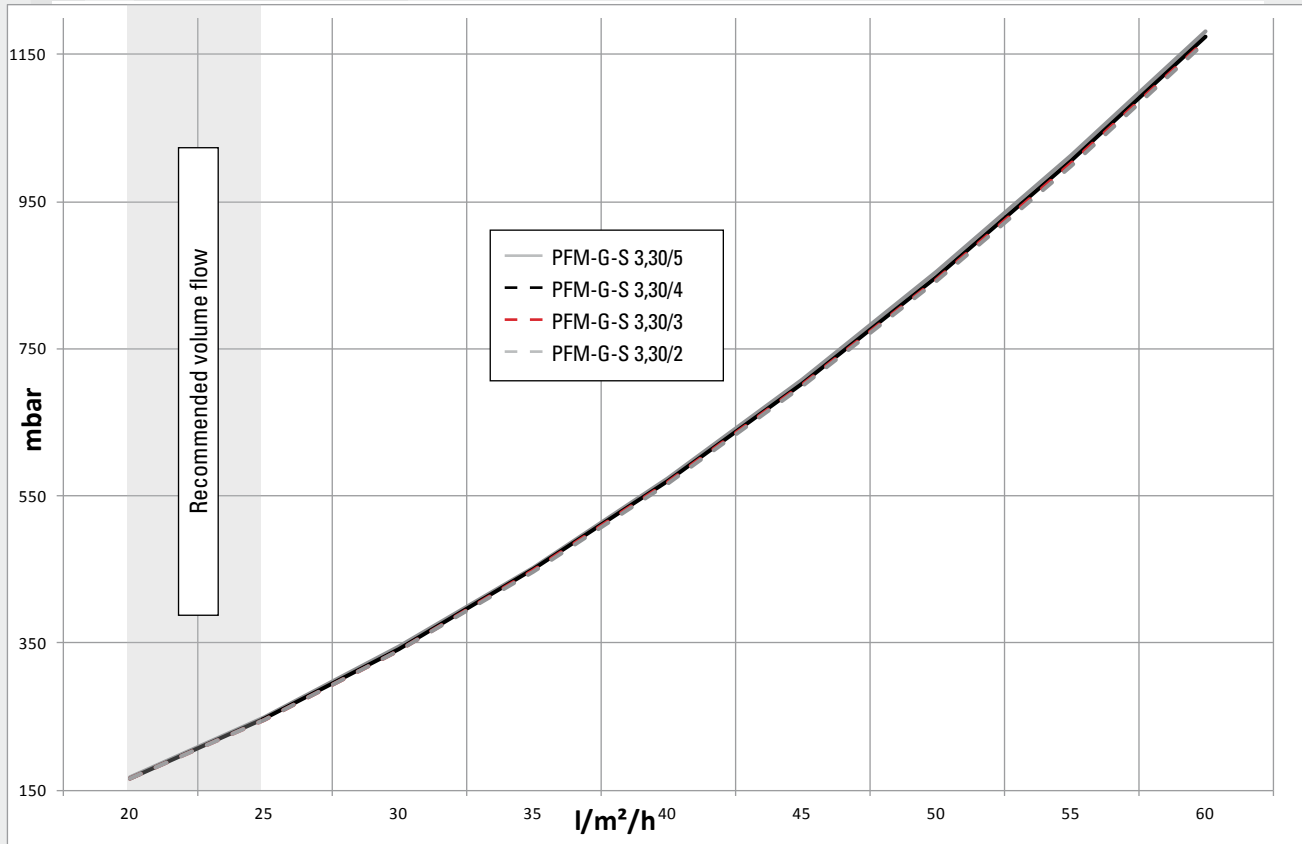


PFM-G LARGE COLLECTOR

PRESSURE LOSS

PFM-G-S 3,30 pressure loss

Original TiSUN® antifreeze mixture (40% polypropylene glycol), medium temperature 60 °C, gross area as legend



PFM-G-W pressure loss

Original TiSUN® antifreeze mixture (40% polypropylene glycol), medium temperature 60 °C, gross area as legend

